



# EXPORT PRODUCT CATALOGUE 2024



MDT (est. 1999) is a reliable manufacturer and supplier of ophthalmic medical devices, accessories and consumables (including BioGlo™ Fluorescein Sodium Strips, TearFlo™ Schirmer Test Strips, and CRP - Chin Rest Papers).

Thanks to our experience, a long-lasting international presence, sustainable development, focus on craftsmanship and excellent business partners we are able to meet the growing requirements by offering a wide range of high-quality, functional products for medical practitioners and OEM market.

Among the others we manufacture ophthalmic surgical tables, operator's chairs, refraction units (workstations), electric tables, stools, as well as devices used for diagnostics and treatment of strabismus and amblyopia, which are proudly 'made in EU' and CE marked, as well as FDA approved.

We are proud of our Authorised Service Partners and service engineers who provide the customers with an outstanding level of technical support, both at the stage of equipment installation and in case of any issues which could have occurred during a product life-time.

Should you need any further information, please do not hesitate to contact your local business partner, as they look forward to hearing from you!

*MDT Team*



# Table of contents

<b>Refraction Units</b>	
UNIQ	4
EASY	8
SMART PLUS	12
ECO PLUS	16
PA Phoropter Arms	20
<b>Ophthalmic Chairs</b>	
SC-1 Surgical Table	22
OC-1 Ophthalmic Operator's Chair	23
PC-1 Ophthalmic Patient's Chair	24
<b>Ophthalmic Electric Tables</b>	
MD-1	25
MD-2	25
MD-V	25
COMBO-1	27
COMBO-2	27
MD-X	28
MD-3	29
MD-3V	29
MD-3 Lightmed®	30
Accessories	32
<b>Ophthalmic Stools</b>	
T-P	33
T-LT	33
T-L	33
T-S	33
T-L Premium	33
<b>Strabismus and amblyopia diagnostics &amp; treatment devices</b>	
EH-1 Hess Screen	34
KM-1 Maddox Cross	34
KN-1 Visual Coordinator	35
SW-1 Campbell Stimulator	35
AK-1 Convergence Trainer	36
LA-1 Acoustic Locator	36
CH-1 Cheiroscope	37
<b>Ophthalmic Trial Lens Sets</b>	
PL-232	38
BR-260	39
<b>Ophthalmic Trial Frames</b>	
TF-2	40
TF-4	40
TF-2 Pediatric	40
<b>Universal Dust-protection Covers</b>	
UC-1	41
UC-2	41
UC-3	41
UC-4	41
<b>Consumables</b>	
BioGlo™ Fluorescein sodium ophthalmic strips USP	42
TearFlo™ Sterile tear flow strips (Schirmer test)	43
CRP-90 Chin Rest Papers	44



Simplicity and space-saving design combined with functionality.

## TECH SPEC

- Equipped with electrically elevated SLIM chair (available in black upholstery only)
- Convenient chair height adjustment switch on the table top
- V-shape, fixed height, non-extendable table top for 2 instruments, with optional universal chin rest adapter
- ALU post suitable for installation of both, chart projector and PA-1000 phoropter arm (option)
- Table top electromagnet lock switch hidden under the auxiliary table top
- Efficient, foldable and revolving LED lamp with a manual switch
- Right-handed setup as a standard, left-handed available upon order or during on-site installation
- Side casings and table top painted in RAL7047
- Front casing and auxiliary table top painted in RAL7024
- Steel base powder coated in RAL7024 EU Declaration of Conformity provided



PA-1000



Chair height adjustment switch



Pivotal arm with trial lenses tray and cassette\*/\*\*



Table top electromagnet lock switch



UNIQ with SLIM chair (right-handed setup)



Left-handed setup\*



LED lamp switch



C-13 sockets



CBS-1000

\*- optional feature  
\*\*- trial lens set – optional feature

## OPTIONAL EXTRAS

In order to provide the most competitive prices the number of optional features has been limited:

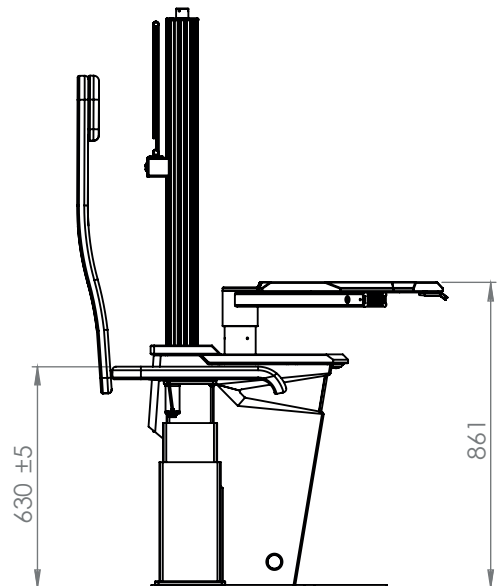
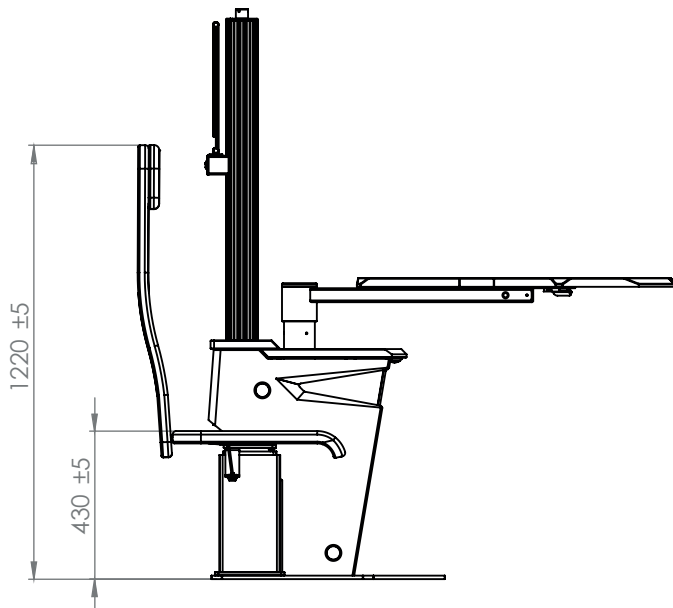
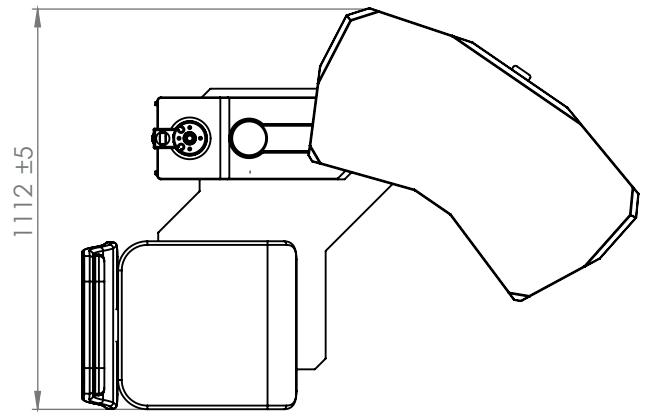
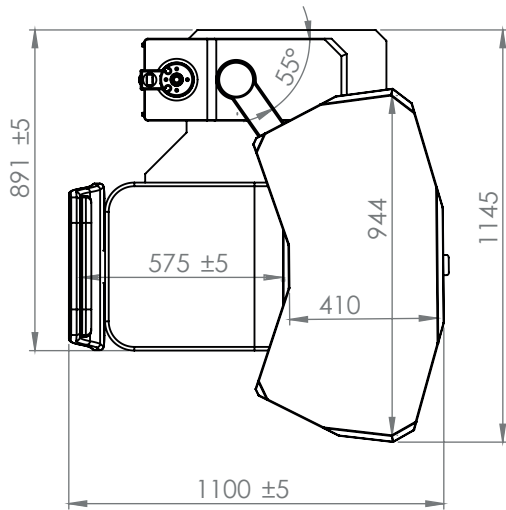
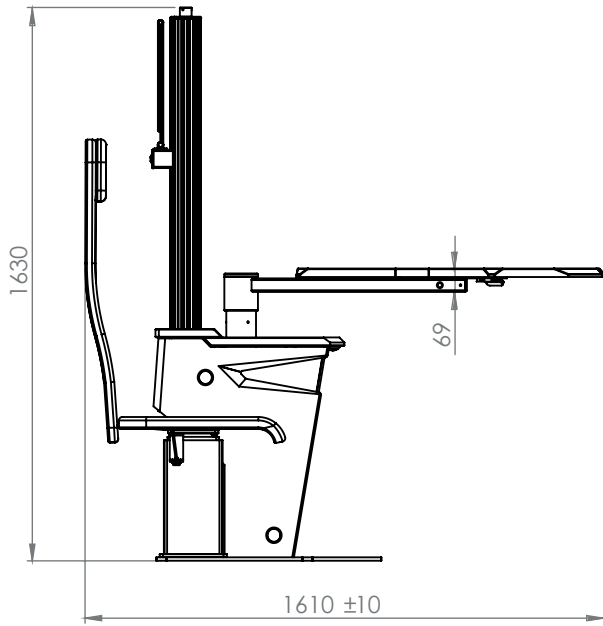
- Footrest for SLIM chair - n/a
- COMFORT chair – n/a
- PA-1000 counterbalanced phoropter arm equipped with a gas spring
- PA-3000 - n/a
- Elevated table top – n/a
- Customised main body colours - n/a
- Customised upholstery colours - n/a
- Pivotal arm with trial lenses tray and cassette
- Chart projector shelf
- Left-handed setup (factory preset or upon on-site installation)
- CBS-1000 Control Box Stand
- Ophthalmoscope/retinoscope rack
- Universal chin rest adapter

<b>Dimensions</b>	<b>SLIM CHAIR</b>
Width	1 145mm
Depth	1 100 - 1 610mm ( $\pm 10$ )
Height	1 630mm
Chair height working range	430 - 630mm ( $\pm 5$ )
Table top dimensions	W 944/900/735mm x D 445/410/445mm
Table top height (fixed)	861mm
Table top working range (height adjustable)	n/a

### **Technical specification**

Supply voltage	100 - 240V AC, 50/60Hz
Power	280VA
LED lamp power	9W
Power supply cord	3m with UniSchuko plug
Max. table top load	50kg
Max. chair load	150kg
Max. power of devices connected to 2x C-13 sockets	450VA
Packaging	1 pallet, 120x80x160cm, ca. 150kg (gross)

# UNIQ WITH SLIM CHAIR



# EASY

refraction unit



Easy installation combined with compact dimensions, functionality, and excellent quality.

## TECH SPEC

- Equipped with electrically elevated SLIM chair (available in black upholstery only) with optional footrest
- Sliding, fixed height table top for 2 instruments
- Auto ref/keratometer, slit lamp DC power supply and illumination adjustment knobs built-in the table top
- Convenient control panel
- ALU post with efficient, foldable and revolving LED and universal chart projector adapter
- Easy right- or left-handed factory preset or onsite setup
- Side/front/rear casings and table tops painted in RAL7047
- Steel base powder coated in RAL9006
- EU Declaration of Conformity provided

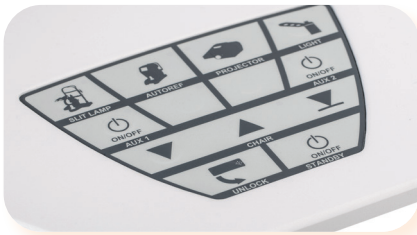




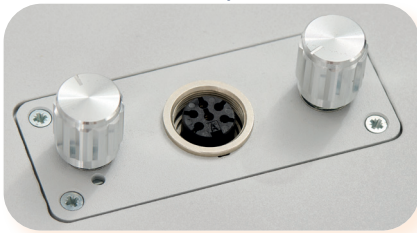
PA-1000\*



PA-3000\*



Control panel



Auxiliary outlet panel



Pivotal arm with trial lenses tray and cassette\*/\*\*



EASY with SLIM chair (right-handed setup)



Left-handed setup\*



EASY with COMFORT chair\*



Chart projector shelf\*



COMFORT chair with reclining system\*



Phoropter controller support arm\*



CBS-1000

\*- optional feature  
\*\*- trial lens set - option

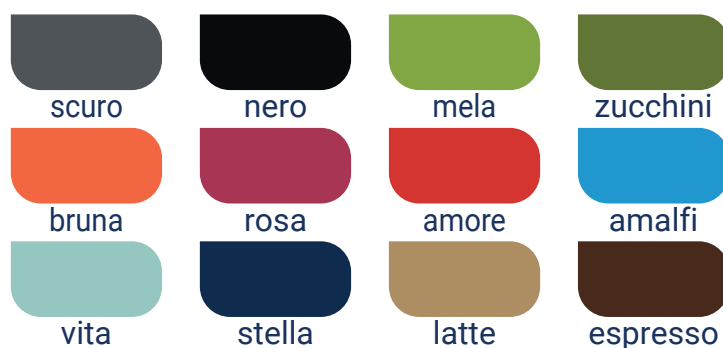
## OPTIONAL EXTRAS

- Footrest for SLIM chair
- COMFORT chair electrically elevated; with armrests, footrest, reclining & swivel systems built-in, NERO (black) upholstery as a standard
- Wide selection of upholstery colours available for COMFORT chair with a surcharge
- PA-1000 counterbalanced phoropter arm (equipped with a gas spring)
- PA-3000 linear phoropter arm (with upward/downward chair movement switches built-in)
- Pivotal arm with trial lenses tray and cassette
- Chart projector shelf
- CBS-1000 Control Box Stand
- Phoropter controller support arm
- Ophthalmoscope/retinoscope rack
- Universal chin rest adapter

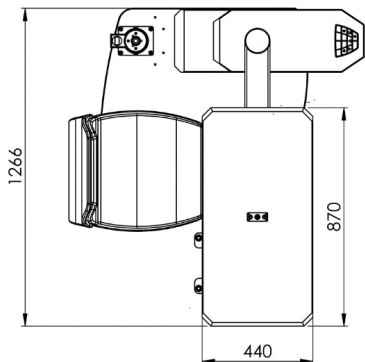
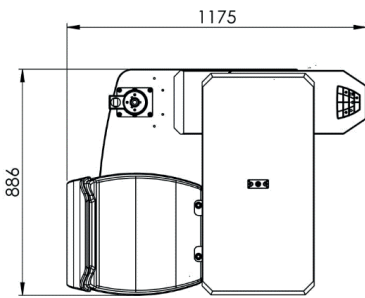
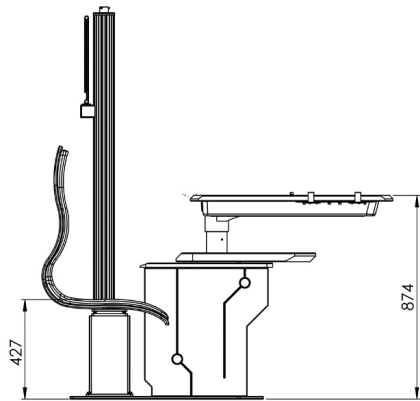
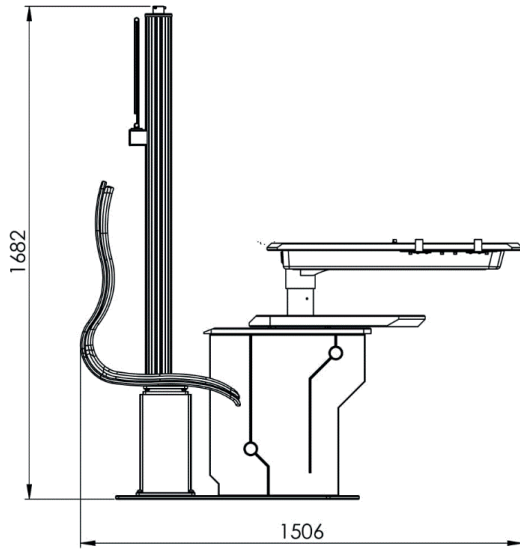
<b>Dimensions</b>	<b>SLIM CHAIR</b>	<b>COMFORT CHAIR</b>
Width	886 - 1 266mm	972 - 1 266mm
Depth (reclined chair, extended table top)	1 175 - 1 506mm (n/a)	1 265 - 1 596mm (2 352mm)
Height	1 682mm	
Chair height working range	427 - 627mm	493 - 693mm
Table top dimensions	870 x 440mm	
Table top height (fixed)	874mm	
Table top working range (height adjustable)	n/a	

## Technical specification

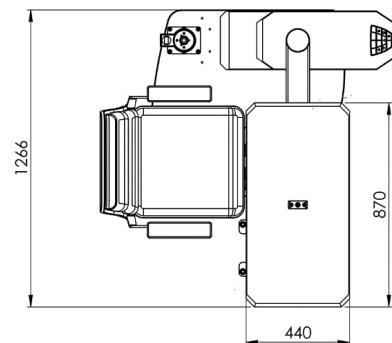
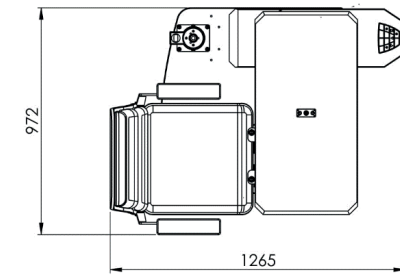
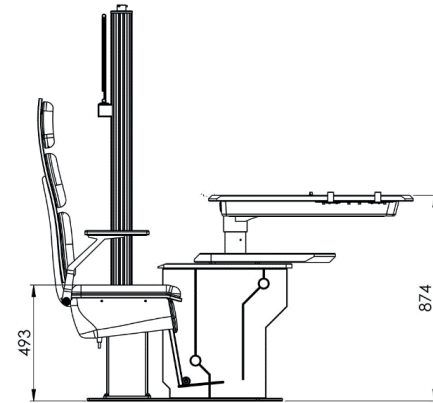
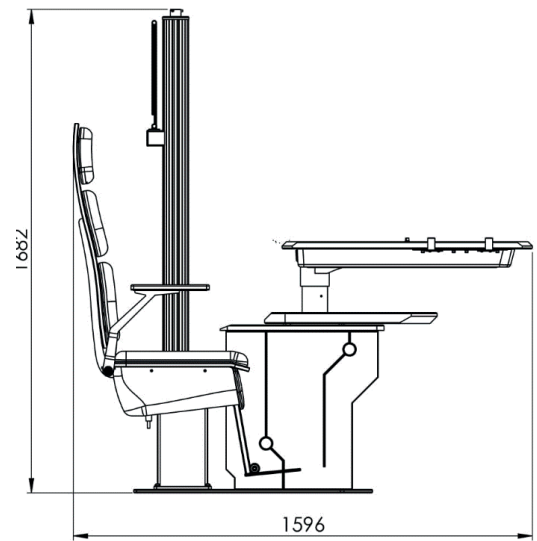
Supply voltage	100 - 240V AC, 50/60Hz
Power	280VA
LED lamp power	9W
Power supply cord	3m with UniSchuko plug
Max. table top load	50kg
Max. chair load	150kg
Max. power of devices connected to 2x C-13 sockets	450VA
Power supply voltage at the table top sockets (SL/AUX1)	2.5 - 24V DC
Supply current of the slit lamp fixator	0 - 100mA (LED) or 0 - 250mA (bulb)
Packaging	1 pallet, 120x80x160cm, ca. 200kg (gross)



## EASY WITH SLIM CHAIR



## EASY WITH COMFORT CHAIR



# SMART PLUS

refraction unit



Fancy design combined with ergonomics and a wide range of optional features. Offered in right-handed setup only.

## TECH SPEC

- Equipped with electrically elevated COMFORT chair with footrest (swivel and reclining systems - optional)
- 2 instruments sliding table top with optional electrical height adjustment
- Auto ref/keratometer, slit lamp DC power supply and illumination adjustment knobs built-in the table top
- Simple connection of different types of slit lamps (SL): LED/halogen
- Convenient control panel
- Pivotal arm with easily accessible trial lenses tray
- Diagonal ALU post with efficient, foldable and revolving LED lamp and chart projector shelf
- Wide selection of upholstery colours available without a surcharge
- Right-handed setup only
- Side casings painted in RAL9003
- Table tops painted in RAL7047
- Steel base powder coated in RAL9006
- EU Declaration of Conformity provided



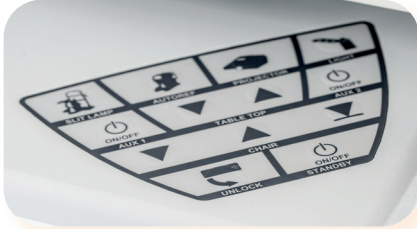
PA-1000\*



SMART PLUS with COMFORT chair



PREMIUM chair\*



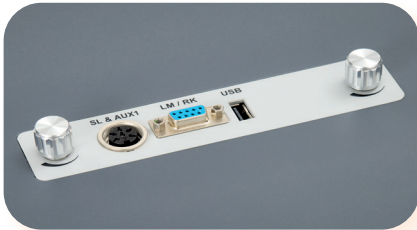
Control panel



Reclining system\*



COMFORT chair reclining\* and/or swivel\*



Auxiliary outlets panel\*\*\*



Trial lens set\*



Swivel system\*



CBS-1000

\*- optional feature

\*\*- optional reclining and/or swivel systems  
 \*\*\*- data transfer ports (USB 2.0, RS-232) – option

## OPTIONAL EXTRAS

- Reclining COMFORT chair 33° (±1,5)
- Swivel COMFORT chair 85° (±3)
- PREMIUM chair with foldable armrests and footrest, electrically elevated, reclining/swivel system built-in
- PA-1000 counterbalanced phoropter arm equipped with a gas spring
- PA-3000 - n/a
- Table top with electrical height adjustment, equipped with a safety device
- Customised side casings colours
- Data transfer ports (USB 2.0, RS-232)
- CBS-1000 Control Box Stand
- Ophthalmoscope/retinoscope rack

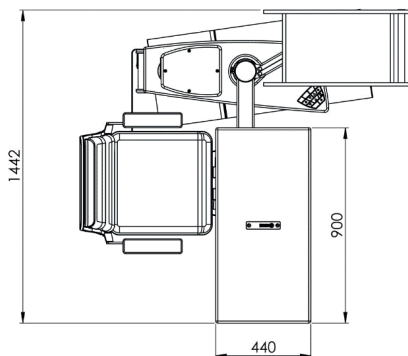
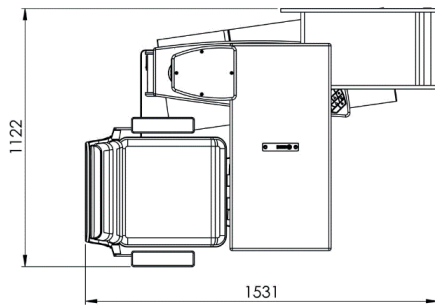
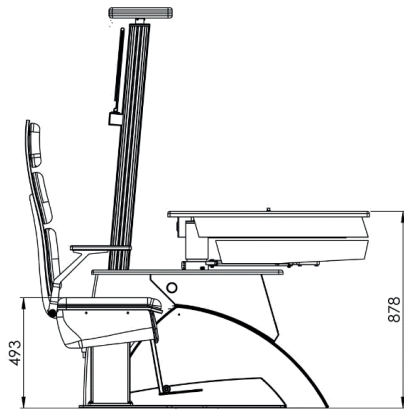
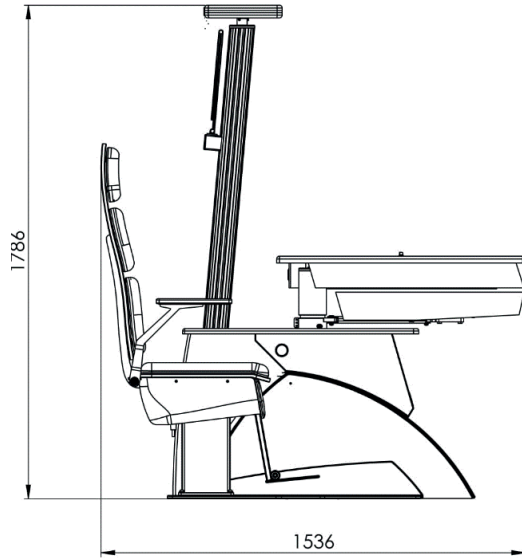
<b>Dimensions</b>	<b>COMFORT CHAIR</b>	<b>PREMIUM CHAIR</b>
Width	1 122 - 1 442mm	1 107 - 1 442mm
Depth (reclined chair, extended table top)	1 531 - 1 536mm (2 289mm)	1 489 - 1 495mm (2 260mm)
Height	1 786mm	
Chair height working range	493 - 693mm	507 - 707mm
Table top dimensions	900 x 440mm	
Table top height (fixed)	878mm	
Table top working range (height adjustable)	878 - 978mm	

## Technical specification

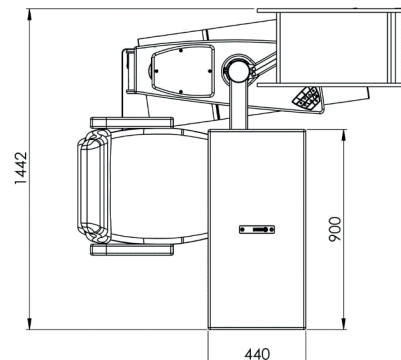
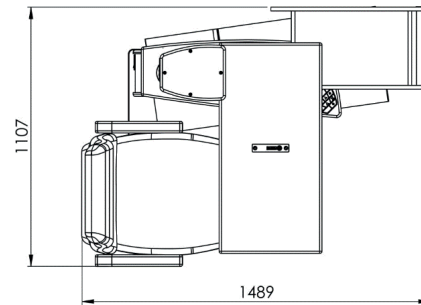
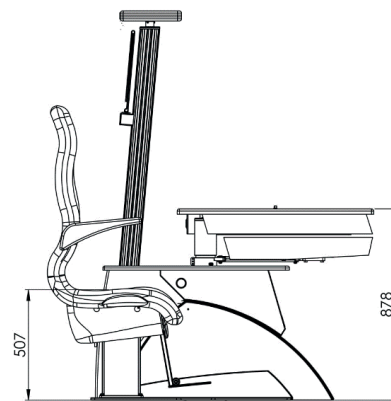
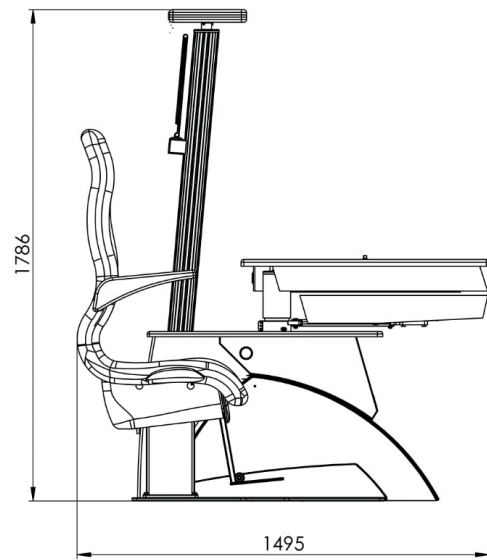
Supply voltage	100 - 240V AC, 50/60Hz
Power	280VA
LED lamp power	9W
Power supply cord	3m with UniSchuko plug
Max. table top load	50kg
Max. chair load	150kg
Max. power of devices connected to 2x C-13 sockets	450VA
Power supply voltage at the table top sockets (SL/AUX1)	2.5 - 24V DC
Supply current of the slit lamp fixator	0 - 100mA (LED) or 0 - 250mA (bulb)
Packaging	1 pallet, 120x80x160cm, ca. 258kg (gross)



## SMART PLUS WITH COMFORT CHAIR



## SMART PLUS WITH PREMIUM CHAIR



# ECO PLUS

refraction unit



Our bestseller thanks to the widest selection of optional features, and right- or left- handed factory setup available.

## TECH SPEC

- Equipped with electrically elevated COMFORT chair with footrest (swivel and reclining systems - optional)
- 2 instruments sliding table top with optional electrical height adjustment
- Auto ref/keratometer, slit lamp DC power supply and illumination adjustment knobs built-in the table top
- Simple connection of different types of slit lamps (SL): LED/halogen
- Convenient control panel
- Easily accessible accessories drawer with a cassette for trial lens set
- ALU post with efficient, foldable and revolving LED lamp and chart projector shelf
- Wide selection of upholstery colours available without a surcharge
- Right-handed setup as a standard, left-handed available upon order only
- Side casings painted in RAL7024, decors in RAL1034
- Table tops painted in RAL7024
- Steel base powder coated in RAL9006
- EU Declaration of Conformity provided





PA-1000\*



PA-3000\*



Control panel



Auxiliary outlets panel\*\*



Trial lens set\*



ECO PLUS with COMFORT chair (right-handed setup)



Left-handed setup\*



Reclining system\*



PREMIUM chair\*



Swivel system\*



CBS-1000

\* - optional feature

\*\* - data transfer ports (USB 2.0, RS-232) - option

## OPTIONAL EXTRAS

- Reclining COMFORT chair 33° (±1,5)
- Swivel COMFORT chair 85° (±3)
- PREMIUM chair with foldable armrests and footrest, electrically elevated, reclining/swivel system built-in
- PA-1000 counterbalanced phoropter arm (equipped with a gas spring)
- PA-3000 linear phoropter arm (with upward/downward chair movement switches built-in)
- Table top with electrical height adjustment, equipped with a safety device
- Customised main body colours
- Left-handed setup (available upon order only)
- Data transfer ports (USB 2.0, RS-232)
- CBS-1000 Control Box Stand
- Ophthalmoscope/retinoscope rack

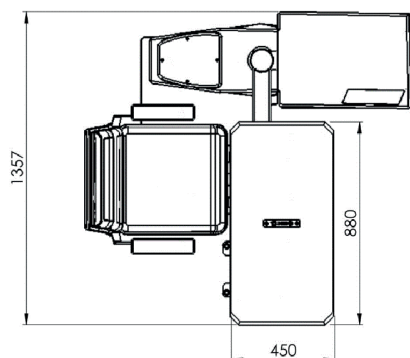
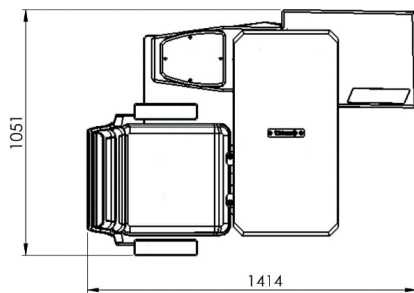
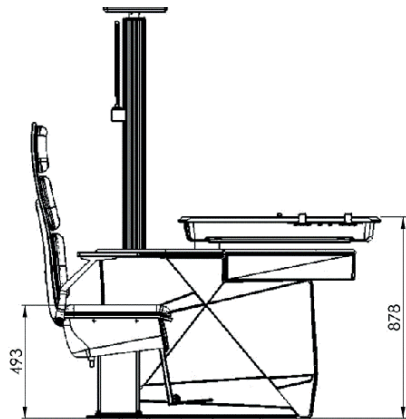
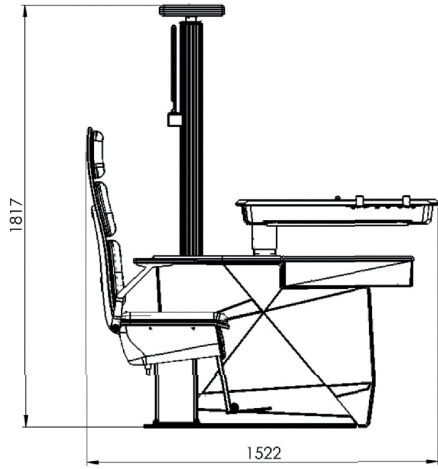
<b>Dimensions</b>	<b>COMFORT CHAIR</b>	<b>PREMIUM CHAIR</b>
Width	1 051 - 1 357mm	1 037 - 1 357mm
Depth (reclined chair, extended table top)	1 414 - 1 522mm (1 885mm)	1 373 - 1 481mm (2 246mm)
Height	1 817mm	
Chair height working range	493 - 693mm	507 - 707mm
Table top dimensions	880 x 450mm	
Table top height (fixed)	878mm	
Table top working range (height adjustable)	878 - 978mm	

## Technical specification

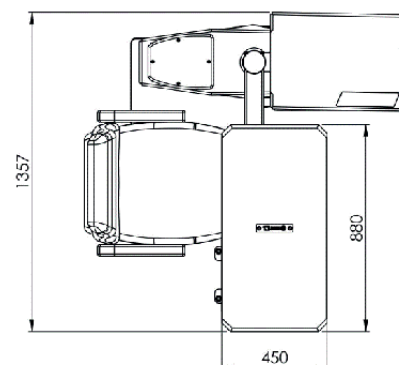
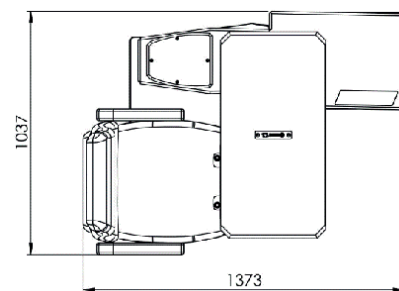
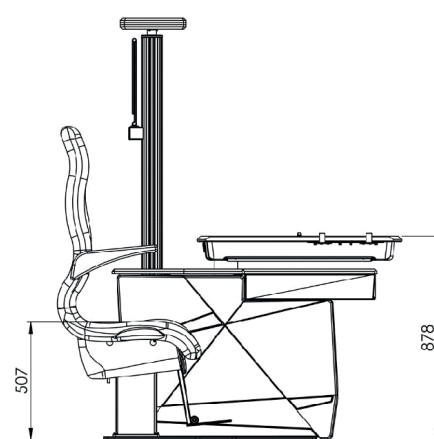
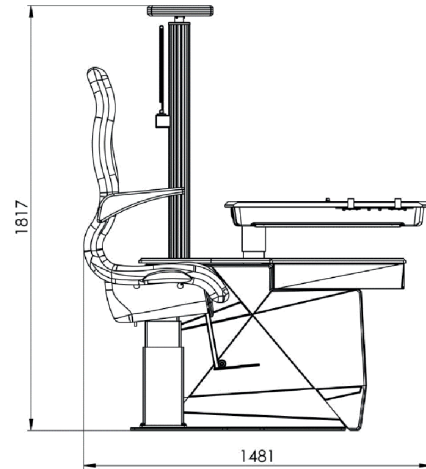
Supply voltage	100 - 240V AC, 50/60Hz
Power	280VA
LED lamp power	9W
Power supply cord	3m with UniSchuko plug
Max. table top load	50kg
Max. chair load	150kg
Max. power of devices connected to 2x C-13 sockets	450VA
Power supply voltage at the table top sockets (SL/AUX1)	2.5 - 24V DC
Supply current of the slit lamp fixator	0 - 100mA (LED) or 0 - 250mA (bulb)
Packaging	1 pallet, 120x80x160cm, ca. 256kg (gross)



## ECO PLUS WITH COMFORT CHAIR



## ECO PLUS WITH PREMIUM CHAIR



# PA-1000

phoropter arm



## TECH SPEC

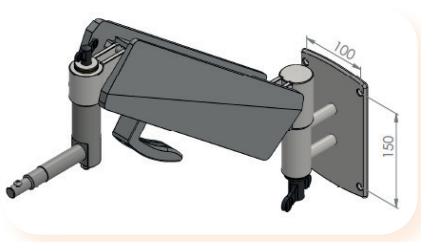
- Universal platform for either manual or automatic phoropter installation
- Manually operated
- Doesn't contain any electronic components
- Counterbalanced, equipped with a gas spring
- PA-1000 is compatible with ALU posts of all MDT refraction units
- Alternatively, PA-1000 can be wall installed using an adapter - optional feature
- Adjustment in all planes provides the best position for the patients and the doctors during the examinations

### Dimensions

Length	583mm
Width	70mm
Height	244mm

### Technical specification

Max. upward movement range	43°
Max. downward movement range	35°
Operational swivel range	ca. 90°
Net weight	6.5kg
Max. load	15kg
Packaging	1 box: 56x29x18cm; 8kg (gross)



Wall installation adapter  
(optional feature)

# PA-3000

phoropter arm



## TECH SPEC

- Chair height adjustment - compatible MDT refraction units only - thanks to control buttons built-in
- Smooth manual sliding system
- Compact shape
- Reliable communication with auto phoropter thanks to fully covered wires
- Universal fastening system gives the opportunity to install various types of phoropters
- Working angle facilitates to choose the best horizontal position for a patient's examination
- Compatible with MDT refraction units, except SMART PLUS with diagonal ALU post and UNIQ

### Dimensions

Length	470 - 1083mm
Width	130mm
Height	206mm

### Technical specification

Possible swivel range	±15°
Number of control buttons	2
Total length of connection cable with NS39-G3 plug	3.5m
Net weight	7.8kg
Max. load	15kg
Packaging	1 box: 54x30x21cm; 9kg (gross)

# SC-1

## surgical table



### TECH SPEC

- Full range of patient's positioning (from sitting to lying, incl. Trendelenburg position) what gives unprecedented opportunity to position the patients at any age in a comfortable way
- A unique design of the headrest gives the surgeon precise control over the patient's head during surgical procedures
- Detachable armrests and cushioning supports, as well as stainless steel push handles
- Ease of movement around the operation theatre
- Central locking gear which assures stability during the surgery AC/DC power supply operated
- Battery pack - AC/DC power supply operated
- 4 universal guide rails (EU)
- A selection of non-stitched upholstery available without a surcharge

### Technical specification

Height adjustment range	600 - 750mm
Trendelenburg position	ca. 15°
Max. load capacity	150kg
Supply voltage	100 - 240V AC, 50/60Hz
Battery pack	24V, 12Ah
Battery charging	24V ±0.5V, 1.2A
Working time	up to 40h
Packaging	1 pallet; 120x80x160cm; 164kg (gross)

### Dimensions

Length (flattened)	1 740 - 1 840mm
Length (sitting position)	1 120mm
Width	874mm
Height	1 240 - 1 390mm



vanilla

juniper



mint

very berry

# OC-1

## ophthalmic operator's chair



### TECH SPEC

- Maximum comfort for the ophthalmic surgeons during cataract surgery and other procedures ensured
- Electrical height adjustment thanks to ergonomically positioned foot switch
- Manually adjustable backrest and armrests
- 3 heavy-duty castors allow for easy movement around the operation theatre
- Foot operated castor break and manual blocking system provide stability whenever required
- Battery pack - AC/DC power supply operated

### Technical specification

Height adjustment range	550 - 750mm
Arm supports rotation range	up to 129°
Backrest height adjustment	75mm
Backrest forward/backward adjustment	55mm
Supply voltage	100 - 240V AC, 50/60Hz
Battery pack	24V, 2.2Ah
Battery charging	24V ±0.5V, 1.2A
Working time	up to 20h
Packaging	1 pallet; 120x80x160cm; 85kg (gross)

### Dimensions

Width	885 - 1 015mm
Depth	740mm
Height	835 - 1 110mm



vanilla



juniper



mint



very berry

# PC-1

ophthalmic patient's chairs

## PC-1 COMFORT



## PC-1 PREMIUM



### TECH SPEC

- Modern and space-saving design
- Ease of use for the operator
- Simple height adjustment thanks to the convenient foot switch
- Increased patient's comfort thanks to high-quality seat equipped with foldable armrests and footrest
- Stability and safety provided due to solid base applied
- Wide selection of upholstery available without a surcharge

### Technical specification

Max. load capacity	150kg
Supply voltage	100 - 240V AC, 50/60Hz
Packaging	1 pallet; 120x80x160cm; 164kg (gross)

### Dimensions

	COMFORT	PREMIUM
Width	648mm	620mm
Depth	986 - 1 236mm	986 - 1 208mm
Height	1 293 - 1 493mm	1 352 - 1 552mm
Seat height working range	502 - 702mm	508 - 708mm



scuro



nero



mela



zucchini



latte



espresso



bruna



rosa



amore



amalfi



vita



stella

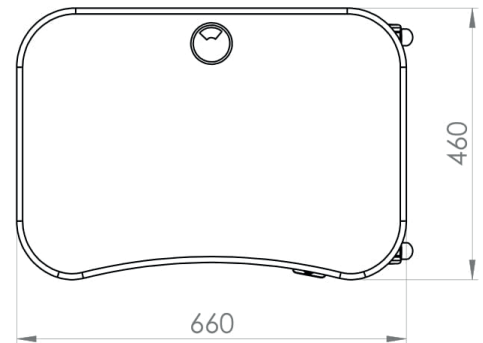


# MD series

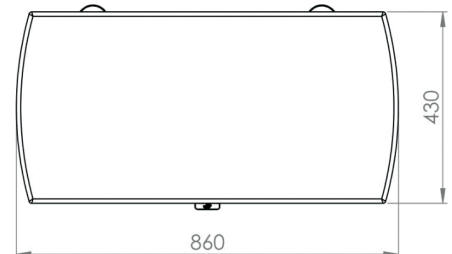
## ophthalmic electric tables

Designed for installation of various ophthalmic devices and allow the patients in wheelchairs to be examined quickly and comfortably. MDT ophthalmic tables have been equipped with: single MDT multi-voltage (100-240V AC) electric telescopic column made of anodised aluminium, table top made of MDF (medium-density fibreboard) varnished with high-quality, wear-resistant polyurethane coatings in RAL7047; powder coated steel base in RAL7024, and either 4 lockable castors Ø75mm (MD-1/2/V series) or 2 castors Ø50mm & 2 screw-in foot (COMBO series).

### MD-1



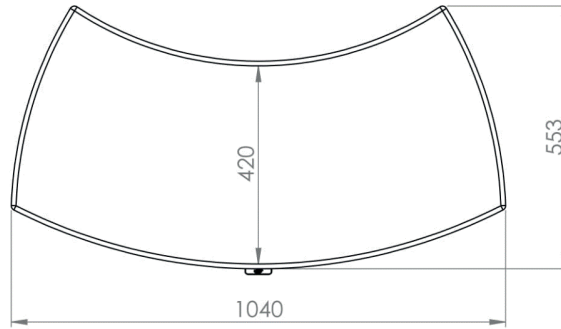
### MD-2



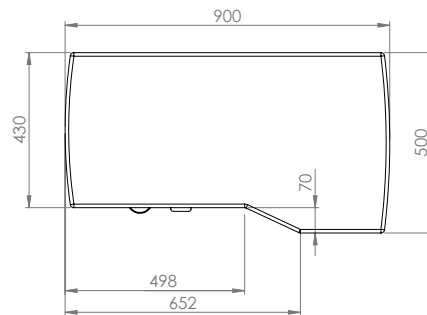
# MD series

ophthalmic electric tables

## MD-V



## MD-2 PC



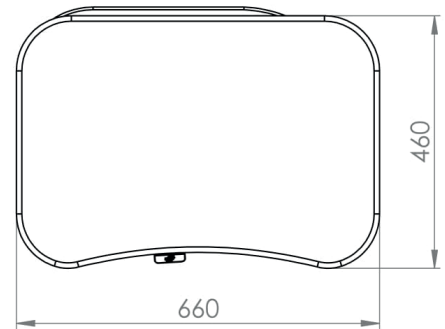
## MD-1 YAG/SLT



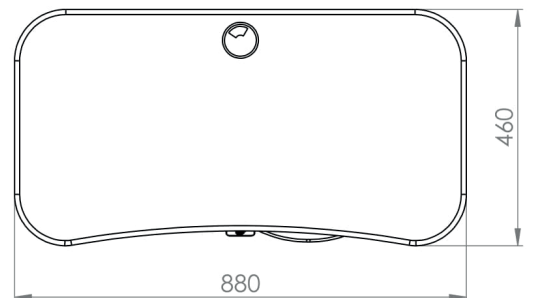
# COMBO series

ophthalmic electric tables

## COMBO-1



## COMBO-2



# MD-X

## ophthalmic electric table

Designed for ophthalmic devices with low-positioned chin rest support e.g. perimeters.  
Equipped with a new MDT multi-voltage (100-240V AC) electric telescopic column with extended height adjustment range.  
MD-X set contains manually detachable printer/PC shelf and retractable keyboard holder.



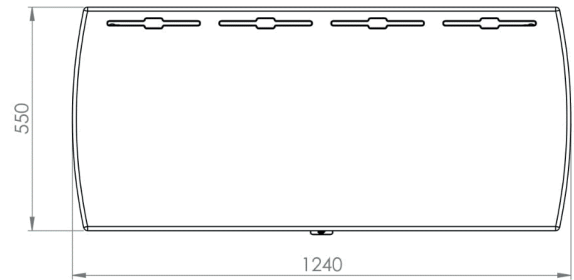
<b>Technical specification</b>	<b>MD-X</b>
Table top dimensions	W500 x D580mm
Table top height working range	747 - 1 048mm
Max. table top load	65kg
Supply voltage	100 - 240V AC, 50/60Hz
Net weight	44.8kg
Packaging	

# MD series

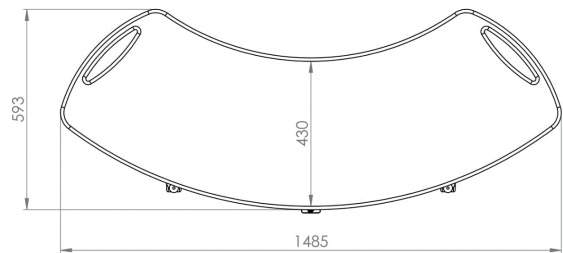
## ophthalmic electric tables

MD-3 series allow for installation either up to 3 ophthalmic devices or 1 specific ophthalmic device - Lightmed® laser. Equipped with 2 synchronised MDT multi-voltage (100-240V AC) electric telescopic columns, table top made of MDF (medium-density fibreboard) varnished with high-quality, wear-resistant polyurethane coatings in RAL7047; 2 powder coated steel bases in RAL7024, and 4 lockable castors Ø75mm.

### MD-3



### MD-3V



# MD series

ophthalmic electric tables

## MD-3 Lightmed®



Technical specification	Table top dimensions [mm]	Table top height working range [mm]	Net weight	Max. table top load	Packaging (gross weight)
MD-1	660x460		25kg		1 box; 29kg, 77x52x29cm
MD-1 600x500	600x500	661-911	25kg		1 box; 29kg, 77x53x30cm
MD-1 PC	900x500/ 430mm		27kg		
MD-1 YAG/SLT	800x460	718-968	26kg	65kg	
MD-2	860x430		27kg		2 boxes; 17kg, 91x51x13cm; 24kg, 77x52x29cm
MD-2 1000x500	1000x500	661-911	28kg		2 boxes; 11kg, 105x54x11cm; 24kg, 77x52x29cm
MD-V	1040x553		28kg		2 boxes; 11kg, 111x65x12cm; 24kg, 77x52x29cm
COMBO-1	660x460		32kg		2 boxes; 18kg, 77x52x29cm; 20kg, 77x52x13cm
COMBO-2	860x460	569-846	34kg	65kg	2 boxes; 21kg, 91x52x29cm; 20kg, 77x52x13cm
MD-X	500x580	747-1048	45kg	65kg	
MD-3	1240x550		42kg		2 boxes; 26kg, 128x58x11cm; 22kg, 57x50x32cm
MD-3V	1485x593	608-908	33kg	90kg	2 boxes; 18kg, 160x65x12cm; 22kg, 57x50x32cm
MD-3 Lightmed®	1000x420		38kg		2 boxes; 20kg, 104x55x10cm; 31kg, 92x21x37cm

# MD series

## ophthalmic electric tables options



Table top colour of your choice (RAL)



Printer shelf (430x490mm)

Please note that while adding printer shelf a standard base will be changed respectively as presented in the picture (2 castors, 2 screw-in foot)



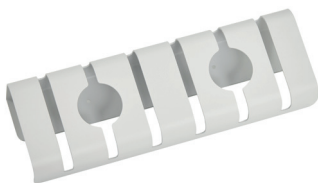
Extension lead (C14/2x UniSchuko)



Adapters for UniSchuko plug  
(A, B, C, D, G, H, I, K, L, M, N, O)



Additional device power cord (C13/C14)



CMB - Cable management basket

PC hanger



Keyboard holder



# T series

## ophthalmic stools

### T-P

Pneumatic height control. 2 versions available:

- lower seat: 44-64cm
- taller seat: 52-78cm

Round seat with wide selection of upholstery colours available without a surcharge. Base dia. 500mm, chrome finished, equipped with 5 fixed plastic foot in order to provide the patients with a safety during the examinations.

Packaging: 1 box, 55x48x29cm, weight 7.6kg (gross)

### T-LT

Pneumatic height tilt control. 2 versions available:

- lower seat: 46-66cm
- taller seat: 54-80cm

Round seat with wide selection of upholstery colours available without a surcharge. Base dia. 500mm, chrome finished, equipped with 5 castors.

Packaging: 1 box, 54x46x27cm, weight 7.7kg (gross)

### T-L

Pneumatic height control. 2 versions available:

- lower seat: 46-66cm
- taller seat: 54-80cm

Ergonomic half-backrest with stamp-formed MDT logo offered in black colour only. Base dia. 500mm, chrome finished, equipped with castors.

Packaging: 1 box, 55x48x30cm, weight 9.2kg (gross)

### T-S

Pneumatic height and manual tilt control. 2 versions available:

- lower seat: 47-67cm
- taller seat: 55-81cm

Saddle shape seat, available in black colour only. Base dia. 500mm, chrome finished, equipped with castors.

Packaging: 1 box, 54x54x32cm, weight 10.8kg (gross)

### T-L Premium

Pneumatic height adjustment and manual backrest tilt. 2 versions available:

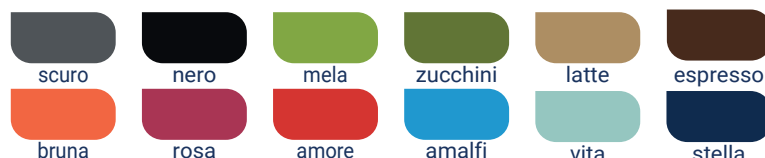
- lower seat: 53-73cm
- taller seat: 61-87cm

Wide selection of upholstery colours available without a surcharge\*. Base dia. 500mm, chrome finished, equipped with castors.

Packaging: 1 box, 54x54x31cm, weight 19.4kg (gross)



\*Available colours:



# Strabismus and amblyopia

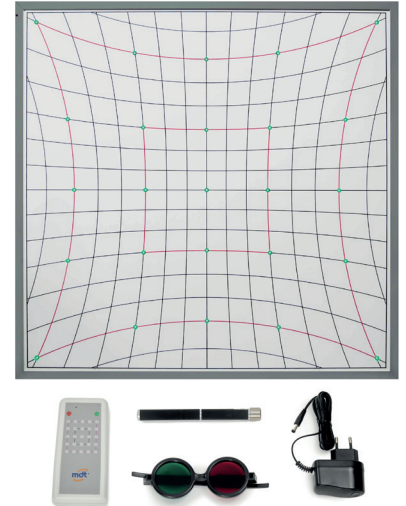
diagnostic devices

## EH-1 Hess Screen

EH-1 (Hess Screen) is a diagnostic device used to test eye muscle coordinometry. Testing with EH-1 is based on the detection of a false location for the action of the paralysed muscle. The test is most commonly used in paralytic strabismus and muscle paralysis and paresis.

EH-1 takes the form of an array - a graph of intersecting parabolic lines of a strictly fixed shape, forming a grid. At the intersection of the lines, 25 test points in the form of green LEDs were applied. The patient's task is to indicate individual points displayed in random order by the doctor.

Packaging: 1 box, 102x92x9cm, weight 8.8kg (gross)



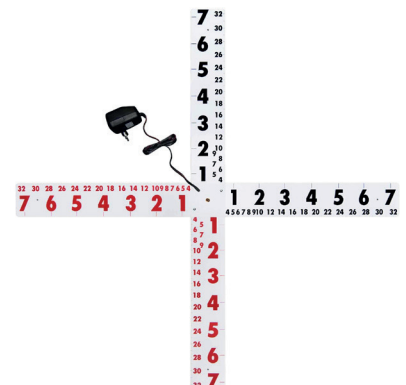
## KM-1 Maddox Cross

KM-1 (Maddox Cross) is a medical device intended for diagnosing strabismus disease and other eye disorders:

- ◇ latent strabismus with the use of the Maddox rods,
- ◇ size of the objective angle in manifest strabismus,
- ◇ gamma angle,
- ◇ retinal correspondence.

KM-1 has the shape of a cross consisting of 4 arms with numerical scales. There is a light (LED) in the centre of the connector/plate, which is the zero point. The different graduation intervals correspond to arc degrees: the larger scale is used for testing from a distance of 5 m, and the smaller scale is used for testing from a distance of 1 m.

Packaging: 1 box, 66x17x14cm, weight 1.6kg (gross)



# Strabismus and amblyopia

treatment devices

## KN-1 Visual Coordinator

KN-1 (Visual Coordinator) is a medical device used to treat visual impairment. KN-1 is a medical device designed for exercises aimed at obtaining central fixation of vision and training of correct macular localization together with eye-hand coordination, which simultaneously improves vision. Exercises on KN-1 should be used for monocular visual impairment. The degree of visual impairment is irrelevant. KN-1 uses the Haidinger phenomenon, which can only be observed with a macula. The macula has a radial arrangement of retinal fibers and contains a yellow pigment, which makes perception of this phenomenon possible. KN-1 consists of a stable body with a forehead support with magnifying glass, a set of optotype discs, and a power supply. In the rear part of the device there are knobs to adjust the speed, brightness and a switch to change the direction of movement of the optical module disc to the left or right. KN-1 is one of the devices used in the Cüpper method for treatment of amblyopia, but it can also be used in conjunction with other devices (combined exercise).

### Contraindications:

Exercises with the KN-1 should be performed with special care in eccentric fixation, especially established in children over 6 years of age. There are unknown contraindications to the use of the Haidinger phenomenon in these cases; it is only recommended that these exercises be performed skilfully in order to properly normalize the retina and regain macular, primary visual direction. Exercises must be performed under the supervision of an ophthalmologist or an orthoptist.

Packaging: 1 box, 47x36x32cm, weight 7kg (gross)



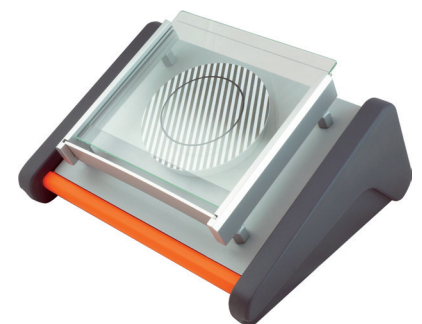
## SW-1 View Stimulator

SW-1 (Campbell Stimulator) is a medical device for the treatment of visual impairment based on the concept of active and controlled stimulation of the patient's eye. The rotating stripes provide simple stimuli that stimulate the retina spatially and locally. SW-1 was designed to activate the cells of the cerebral cortex and simultaneously the entire visual system. SW-1 consists of a sturdy body, a set of discs with stripes, a set of slides, a set of colourful, easily erasable markers, and an AC adapter. The stimulator's exercise plane is a background on which a circular test with high contrast stripes is placed, with a slide applied over it.

### Contraindications:

In some cases, patient's vision may improve rapidly, so it is important to follow diagnostic standards before exercise and to evaluate the effects of therapy to avoid persistent diplopia. In cases where obstruction treatment is contraindicated, this method should not be used. Caution should be exercised in children older than 8 years of age, mainly for patients with diagnosed eccentric fixation. Pleoptic exercises should then be incorporated and the type of fixation carefully monitored once a week. Exercises should only be performed under the supervision of an ophthalmologist or an orthoptist.

Packaging: 1 box, 47x36x26cm, weight 6.8kg (gross)



# Strabismus and amblyopia

treatment devices

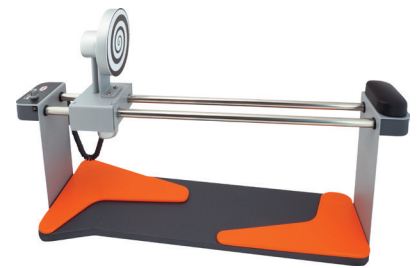
## AK-1 Convergence Trainer

AK-1 (Convergence Trainer) is a medical device used to improve convergence. Convergence exercises are being performed before and after surgery. Before surgery, the exercises are used to strengthen convergence to prevent secondary deficiency after surgery. Sometimes convergence exercises are used as a supplement to orthoptic exercises, in cases which do not require surgery, e.g.: in convergence deficiency, severe exophoria, intermittent divergent strabismus. AK-1 consists of a stable base with two brackets and a guide with a handle on which a spiral disc is placed. The device takes advantage of Bangerter's idea by using an Archimedes spiral, through which a strong convergence stimulus is obtained.

### Contraindications:

If orthoptic exercises are used in patients with insufficient motor fusion, there is a danger of developing double vision. Occasionally, an accommodative spasm may develop due to excessive convergence exercises or too much control of high angle divergent strabismus. Exercises should only be performed under the supervision and as directed by an ophthalmologist or an orthoptist.

Packaging: 1 box, 78x42x27cm, weight 7.6kg (gross)



## LA-1 Acoustic Locator

LA-1 (Acoustic Locator) is a medical device used to improve the function of binocular vision. LA-1 is a medical device used for location exercises in the treatment of vision impairment with the use of hearing. The purpose of the exercises is to improve visual acuity, consolidate central fixation, and practice proper localization and eye-hand coordination. LA-1 consists of a stable body with an inclined top on which one of the metal plates with pictures of different widths of outline is placed, a power supply and a stylus which the patient moves along the outline of the picture. There is a potentiometer on the back of the device to adjust the volume of the audible signal that sounds when the patient moves the pointer beyond the contour line. LA-1 is one of the devices used in the Cüpper method for treatment of amblyopia, but it can also be used in conjunction with other devices (combined exercise).

### Contraindications:

Exercises should only be performed under the supervision and as directed by an ophthalmologist or an orthoptist.

Packaging: 1 box, 37x36x20cm, weight 4.6kg (gross)



# Strabismus and amblyopia

treatment devices

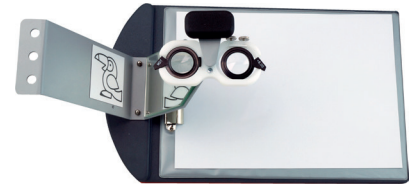
## CH-1 Cheiroscope

CH-1 (Cheiroscope) is a medical device used to improve the function of binocular vision. Exercises with CH-1 are used in heterophoria, in minor manifest strabismus, in periodic strabismus, and in disorders of binocular visual function. CH-1 consists of a sturdy body with a convenient forehead support and sheet mount, two 6.0D trial lenses, a mirror, and a set of exercise cards with the pictures. It allows right-handed or left-handed patients to practice comfortably, thanks to the change the of tilt of the CH-1 by using the bracket under the body and rotation of the forehead support by 180°.

### Contraindications:

The prerequisite for starting the exercises is good visual acuity in both eyes, not less than 0.8 in the weaker eye, and adequate maturity of the patient. Exercises should not be performed by the patients who have been diagnosed with a lack of fusion and with a large angle of strabismus. Exercises should only be performed under the supervision of an ophthalmologist or an optometrist.

Packaging: 1 box, 50x35x32cm, weight 5kg (gross)



# PL-232

## ophthalmic trial lens sets

All the lenses have been made of mineral glass Ø25mm, fitted in ABS rims Ø38mm, cylinders clearly marked. The whole set has been placed in a portable carry case.

34 pairs of concave spheres (-) and 34 pairs of convex spheres (+) with a power of:

- 0.12D
- 0.25D to 4.00D in 0.25D steps
- 4.50D to 7.00D in 0.50D steps
- 8.00D to 16.00D in 1.00D steps
- 18.00D, 20.00D

19 pairs of concave cylinders (-) and 19 pairs of convex cylinders (+) with a power of:

- 0.12D
- 0.25D to 3.50D in 0.25D steps
- 4.00D, 4.50D, 5.00D, 6.00D

10 prisms Δ:

- 1.0D
- 2.0D
- 3.0D
- 4.0D
- 5.0D
- 6.0D
- 7.0D
- 8.0D
- 9.0D
- 10.0D

10 accessory lenses:

- BL Occluder (x2)
- PH Pinhole (1.0)
- PH Pinhole (1.5)
- SS Stenopeic Slit
- MR Maddox white
- FL Frosted Lens
- PL Plano Lens (0D)
- GF Green Filter
- RF Red Filter
- CC Cross Cylinder (-0.50D) with handle grip



	PL-232	BR-260
Concave sphere (-)	68	78
Convex sphere (+)	68	78
Concave cylinder (-)	38	40
Convex cylinder (+)	38	40
Prisms	10	14
Accessories	10	10
Net weight	5kg	6kg
Packing	1box; 57x39x11cm, 5.6kg (gross)	1box; 57x39x11cm, 6.8kg (gross)

# BR-260

## ophthalmic trial lens sets

All the lenses have been made of mineral glass Ø36mm, fitted in copper alloy rims Ø38mm, cylinders clearly marked. Additionally, the axis of the cylinder is aligned with the lens holder, which facilitates work in a dark room. The whole set has been placed in a portable carry case.

39 pairs of concave spheres (-) and 39 pairs of convex spheres (+) with a power of:

- 0.25D to 6.00D in 0.25D steps
- 6.50D to 10.00D in 0.50D steps
- 11.00D to 14.00D in 1.00D steps
- 16.00D, 18.00D, 20.00D

20 pairs of concave cylinders (-) and 20 pairs of convex cylinders (+) with a power of:

- 0.25D to 4.00D in 0.25D steps
- 4.50D to 6.00D in 0.50D steps

14 prisms Δ:

- 0.50D (x2)
- 1.00D (x2)
- 2.00D (x2)
- 3.00D (x2)
- 4.00D (x2)
- 5.00D
- 6.00D
- 8.00D
- 10.00D

Accessories:

- BL Occluder
- PH Pinhole (x2)
- SS Stenopeic Slit
- MR Maddox white
- CL Crossed Line
- PL Plano Lens (0D)
- GF Green Filter
- RF Red Filter
- CC Cross Cylinder (-0.50D) with handle grip



	PL-232	BR-260
Concave sphere (-)	68	78
Convex sphere (+)	68	78
Concave cylinder (-)	38	40
Convex cylinder (+)	38	40
Prisms	10	14
Accessories	10	10
Net weight	5kg	6kg
Packing	1box; 57x39x11cm, 5.6kg (gross)	1box; 57x39x11cm, 6.8kg (gross)

# TF series

ophthalmic trial frames

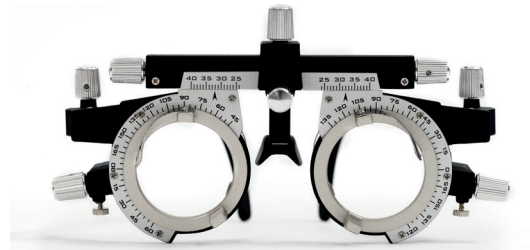
## TF-2

Light-weight trial frame designed to be used with both, adults and children (two different size nose rests included), assures full adjustment against nose and ears position.



## TF-4

Solid trial frame designed to be used with adults, assures full adjustment against nose and ears position.



## TF-2 Pediatric

Trial frame with special, adjustable nose pads perfect for examination of children. It's characterised by high durability & excellent quality.



Technical specification	TF-2	TF-4	TF-2 Pediatric
Weight	63g	79g	48g
PD adjustment range (pupil spacing)	50 - 80mm	48 - 80mm	48 - 60mm
Step of the axis scale	5°	5°	5°
Range of lens rotation	0 - 180°	0 - 180°	0 - 180°
Temple tips angle adjustment range	±10°	±10°	±15°
Vertex distance adjustment range	0 - 13mm	0 - 10mm	n/a
Nose pad adjustment range	0 - 23mm	0 - 12mm	0 - 4mm
Max. number of trial lenses	5	4	4
Packaging	1box; 18x10x6cm, 0.2kg		



# UC series

universal dust-protection covers

## UC-1

Universal dust-protection cover, made of high-quality fabrics, dedicated for 2 ophthalmic instruments.

Customer's logo available as an option with a surcharge.

Dimensions\*: W 75cm x D 45cm x H 55cm



## UC-2

Universal dust-protection cover, made of high-quality fabric, dedicated for 1 ophthalmic instrument (e.g. Haag-Streit type slit lamps and the others).

Customer's logo available as an option with a surcharge.

Dimensions\*: W 40cm x D 30cm x H 70cm



## UC-3

Universal dust-protection cover, made of high-quality fabric, dedicated for 1 ophthalmic instrument (e.g. Zeiss type slit lamps, auto ref/keratometers, topographers, puff-tonometers, etc.).

Customer's logo available as an option with a surcharge.

Dimensions\*: W 45cm x D 27cm x H 45cm



## UC-4

Universal dust-protection cover, made of high-quality fabric, dedicated for chart projectors, A-scan devices, pachymeters, etc.

Customer's logo available as an option with a surcharge.

Dimensions\*: W 27cm x D 40cm x H 20cm



\*W - width, D - depth, H - height

## Fluorescein sodium ophthalmic strips USP

BioGlo™ is the best-known brand in the diagnostics of ocular surface. It has been well accepted and recognised as the leading diagnostic aid on the ophthalmic market. BioGlo™ strips are being used to diagnose tear film disorders. Fluorescein stains corneal epithelial defects and penetrate through these defects into the intercellular space, thus showing the dead epithelial cells and exposed basement membrane of the cornea.

Fluorescein test strips are being used to examine patient's cornea and conjunctiva using a slit lamp with a blue filter on. Furthermore, fluorescein is widely used in measuring intraocular pressure using applanation tonometry to evaluate hard contact lens fitting, and to evaluate break-up time (B.U.T.).



### **Parameter measured:**

- Number of punctate dye spots corresponding to defects in the surface of the cornea

### **Method of a performance:**

- Cobalt filter is switched in the slit lamp
- One strip that has been pre-wetted with physiological saline solution is being placed in the lower fornix of the conjunctival sac for a short time
- The patient is asked to blink the eyes several times to spread fluorescein
- Intensively stained fluorescein spots in the palpebral fissure are being counted

### **Results interpretation:**

- 0 spots showing uniform distribution of fluorescein - normal result
- >10 spots or diffuse fluorescein staining through the epithelial defects - pathological result

### **Available unit packaging:**

- 100 or 300 sterile, single use, individually wrapped strips

## Sterile tear flow test strips (Schirmer test)

TearFlo™ is being used to evaluate tear secretion - Schirmer test. More than 15 mm wetting of a graduated strip folded at a given notch over a 5-minute period of examination with eyes closed has been considered as a normal tear secretion. Wetting values less than 10 mm are being considered as hyposecretion. Schirmer test is the oldest method available for Dry Eye Disease diagnosis.



### **Method of a performance:**

A test to be performed in a room with a dimmed light, without a draught and without pressure sources in the field of vision. Patient is advised to look straight ahead or slightly upward and not to force himself/herself to blink the eyes. Tear fluid should be removed from the lower fornix using a gauze swab before paper strips are placed. Strip should be bent at the notch on the marked end using forceps and inserted in the lower part of the conjunctival sac at 1/3 of length of the lid margin on the outer side. Strip should be removed from the conjunctival sac after 5 minutes and the amount of wetting of the filter paper section will be measured in millimetres from the place of bending.

### **Results interpretation:**

- >15 mm - normal result
- 10 - 15 mm - indicates an initial deficit
- 5-10 mm - advanced tear deficit
- <5 mm - severe tear deficit (advanced DES/DED)

### **Available unit packaging:**

- 100 sterile, single use, individually wrapped strips

## Chin Rest Papers

1 000 pcs. of rectangular, disposable papers for use with various ophthalmic devices with 90mm pin distance e.g.: Topcon, Nidek, Oculus, Canon, Tomey, Rodenstock, Shin Nippon, Rexam, Takagi, CSO, Haag-Streit, Reichert, Zeiss and the others.

- ◇ convenient and recyclable packaging
- ◇ provide comfort and cleanliness for both, the patients and the doctors/opticians
- ◇ manufactured in the EU with high-quality raw material



Handwriting practice lines consisting of multiple sets of horizontal dashed lines on a white background.

mdt®

### General terms and conditions:

MDT medical devices are intended for professional use only and available via a worldwide network of local business partners only.

If you'd like to get a customised Export Product Catalogue (in PDF) with your contact data instead of MDT HQ, please do not hesitate to contact your sales person at MDT.

Distributors' purchase prices for export and intra-EU supplies (VAT 0%, EUR currency) are available upon request for MDT business partners only.

The colours of table tops for MD series ophthalmic tables can be chosen according to RAL palette.

Dropshipping is available: direct shipping from MDT plant in Poland to your customer within the EU.

Apart from the above presented devices MDT offers contract manufacturing and customised design.



MDT sp. z o.o.  
ul. Skosna 12A  
30-383 Krakow  
Poland (EU)

Office hours: MON-FRI 8:00 - 15:00 hrs CET

+48 12 655 30 65  
office@mdt.pl  
www.mdt.pl/en

[linkedin.com/company/mdt-medical-devices-manufacturer](https://www.linkedin.com/company/mdt-medical-devices-manufacturer)

